



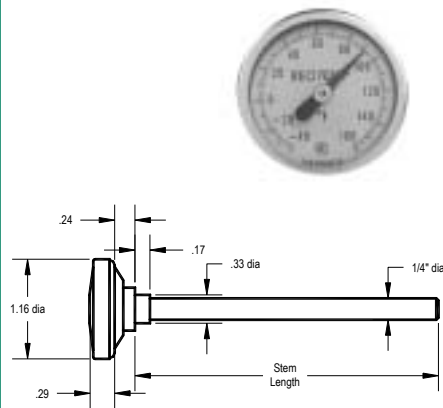
Bimetal Thermometers

OEM Dial Bimetal Thermometers

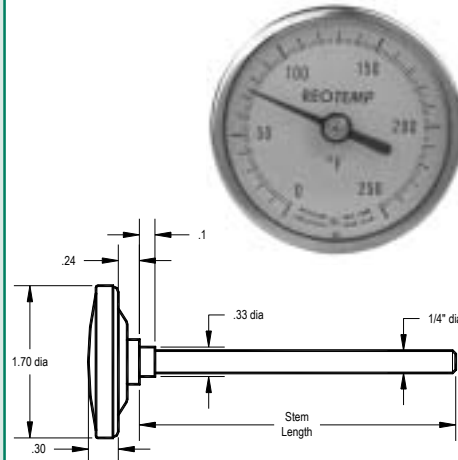


REO *TEMPO* OEM Thermometers (Models **Q**, **G**, and **H**) are the perfect choice for equipment with limited space and requiring a rugged, dependable and economical temperature sensor. Available with a wide variety of mounting threads.

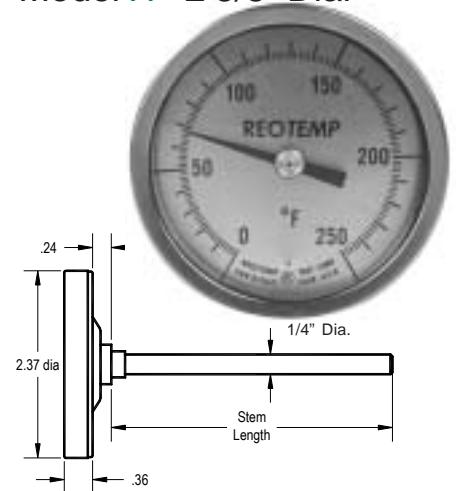
Model **Q** - 1 5/32" Dial



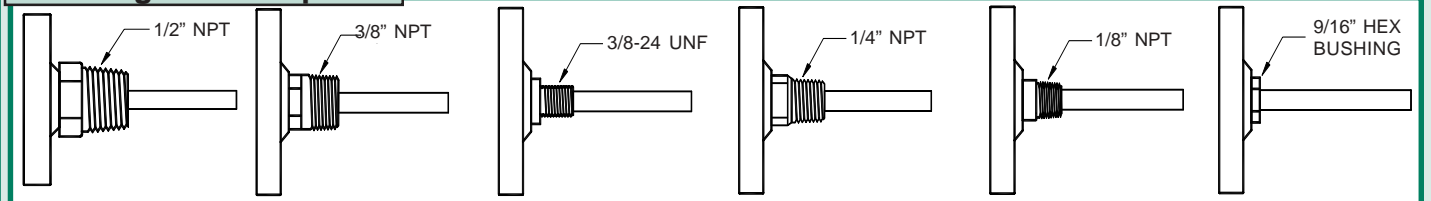
Model **G** - 1 11/16" Dial



Model **H** - 2 3/8" Dial



Mounting Thread Options



How to Order

QQ — **025** — **2** — **F43** — **PS**

Models	Stem Length	Connection	Temperature Ranges (See pg 13 for full list)	Options
OEM Models				
QQ = Model Q (1-1/4" dial)	025 = 2.5"	2 = Plain Bushing (std.)	F23 -40 TO 160°F	PS = Pointed Stem
	040 = 4"	1 = 1/2" NPT	F55* 25 TO 125°F	SS = 316 SS Stem
GG = Model G (1-3/4" dial)	060 = 6"	3 = 3/8-24 NF (straight threaded)	F43 0 TO 200°F	PC = Plastic Window
HH = Model H (2-3/8" dial)	090 = 9"	4 = 1/4" NPT	F47 0 TO 250°F	PB = Plain Bushing (non-reset)*
	120 = 12"	6 = 1/8" NPT	F63 0 TO 300°F	
	150 = 15"	7 = 3/8" NPT	F67 50 TO 500°F	
	180 = 18"	8 = Hex Reset Bushing	F81 150 TO 750°F	
	240 = 24"		F85 200 TO 1000°F	
	300 = 30"			
Lab & Test Models				
QP = Model QP (1-1/4" dial) 5" Stem	150 = 15"		C23 -40 TO 70°C	
	180 = 18"		C55* 0 TO 50°C	
	240 = 24"		C43 0 TO 100°C	
	300 = 30"		C47 -20 TO 120°C	
GL = Model GL (1-3/4" dial) 8" Stem			C63 0 TO 150°C	
			C67 0 TO 250°C	
			C81 0 TO 400°C	
			C85 100 TO 500°C	
HL = Model HL (2-3/8" dial) 8" Stem	360 = 36" -Intermediate lengths available up to 80" -specify length in inches + tenths			
			Dual F/C Ranges	
			D23 -40 TO 160°F & -40 TO 70°C	
			D55* 25 TO 125°F & 0 TO 50°C	
			D43 0 TO 200°F & 0 TO 100°C	
			D47 0 TO 250°F & -20 TO 120°C	
			D63 0 TO 300°F & 0 TO 150°C	
			D67 50 TO 500°F & 0 TO 250°C	
			D81 150 TO 750°F & 0 TO 400°C	
			D85 200 TO 1000°F & 100 TO 500°C	

REO *TEMP* INSTRUMENT CORPORATION

Telephone: (800) 648-7737 FAX (858) 784-0720 • sales@reotemp.com • www.reotemp.com